

Reference: S3000 MONTI®

Designation : casted stainless steel spider.



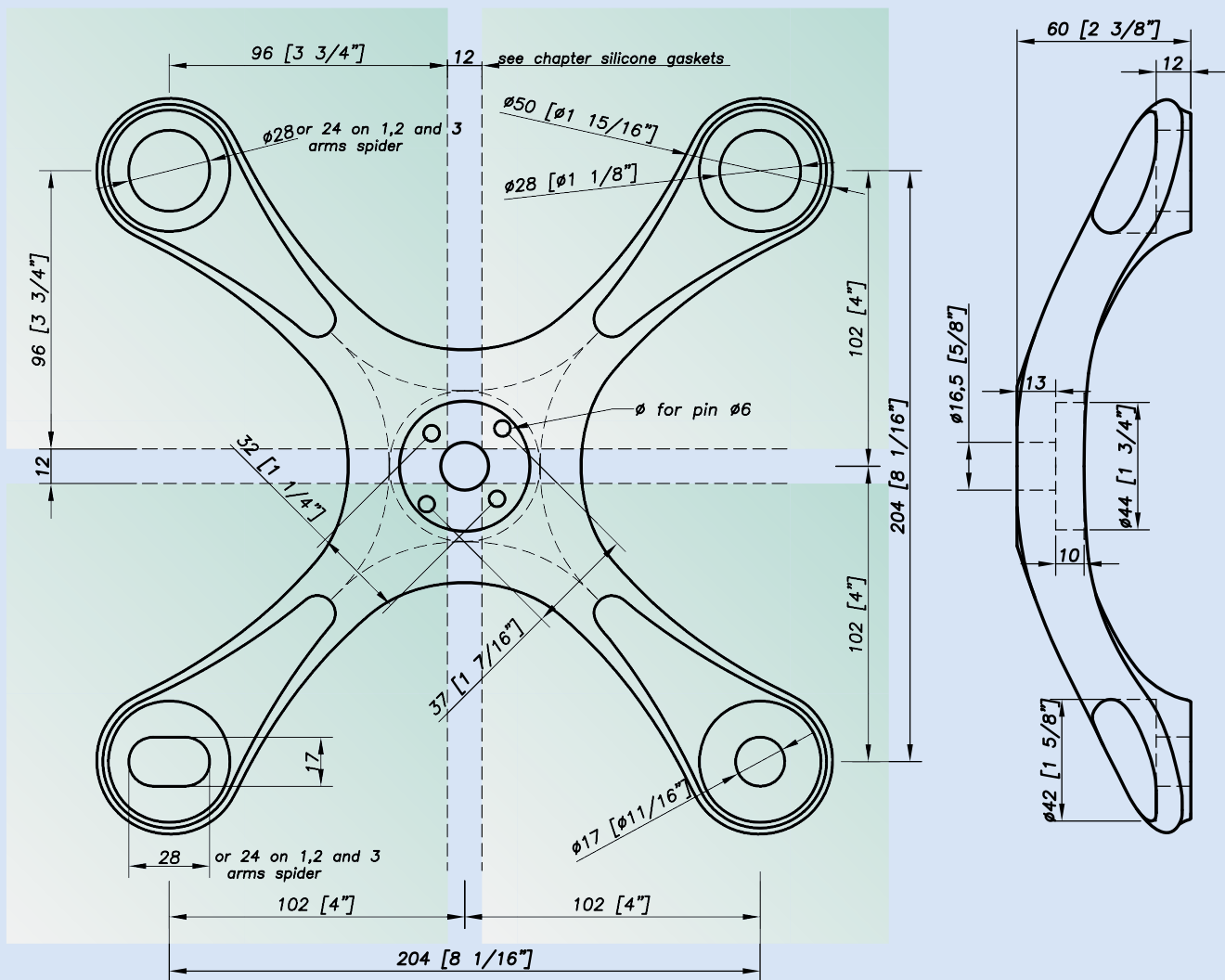
Technical assessment available online at www.sadev.com

Glass side view

Material: AISI 316 – Surface finish: dull polished GR400

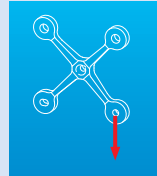
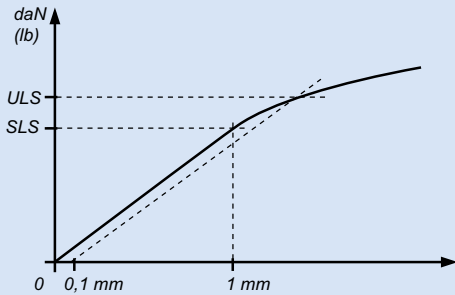
Dimensions:

Glass side view



Modèle : S3000 MONTI®

Mechanical performances:



Load parallel to glass (per arm)

SLS* at 1 mm
434 daN
(975 lb)

ULS*
398 daN
(894 lb)



Load perpendicular to glass (per arm)

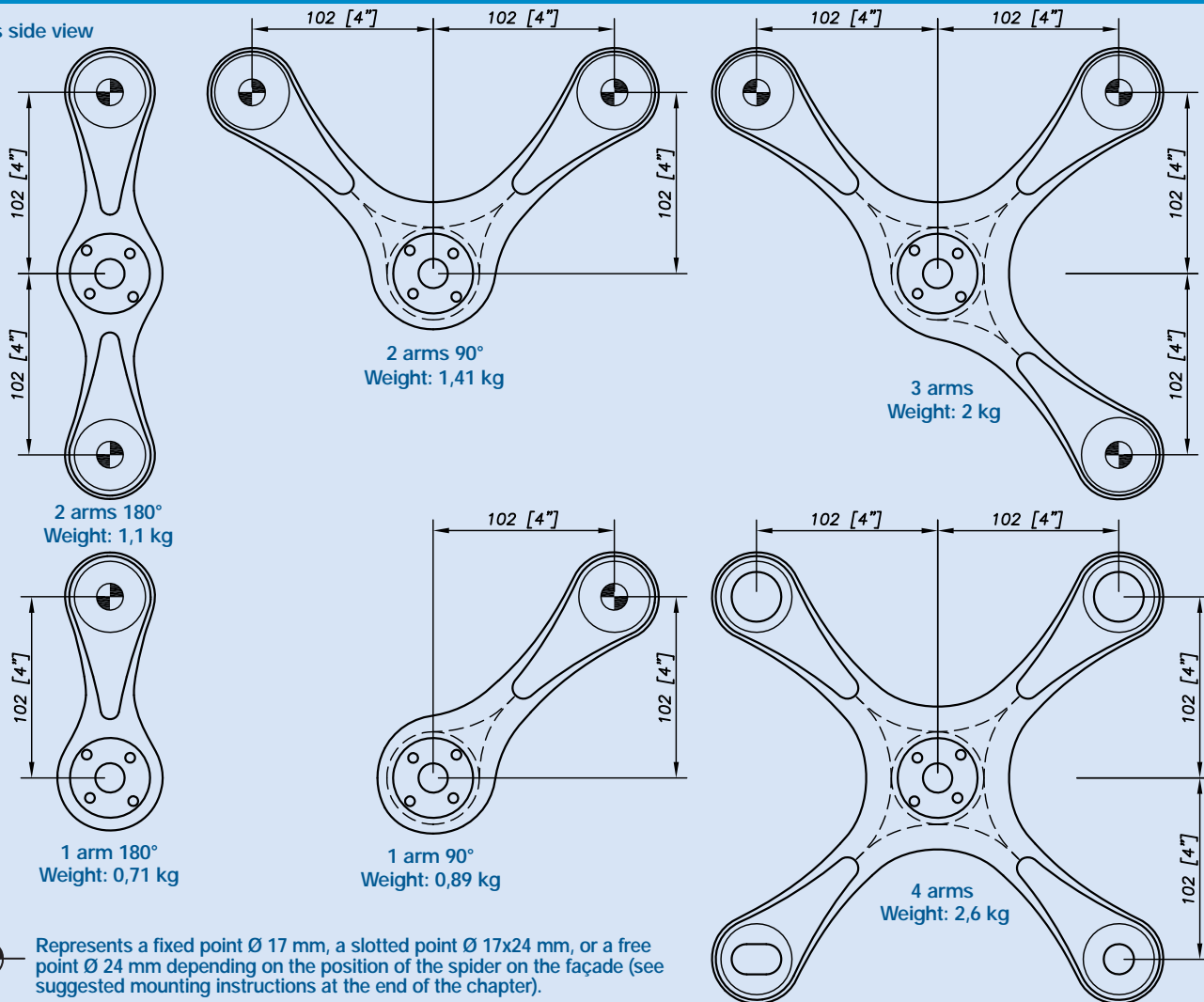
SLS* at 1 mm
238 daN
(535 lb)

ULS*
300 daN
(674 lb)

*SLS: Serviceability Limit State (load causing a deformation of 1 mm)
ULS: Ultimate Limit State: Elastic limit Rp0.1 (maximal load causing a permanent deformation of the spider of 0,1 mm).

Configuration:

Glass side view



Represents a fixed point Ø 17 mm, a slotted point Ø 17x24 mm, or a free point Ø 24 mm depending on the position of the spider on the façade (see suggested mounting instructions at the end of the chapter).

Suggested mounting instruction:

The drilling diameter for the pins is 6 mm. Do not drill the holes for the pins in your structure before mounting the spiders. To fix the spider on your structure the "Omega" (see accessories) is highly recommended to adjust the spider's position. The fixing of the spider is done with a M16 or a M12 bolt (out of Sadev supply). This bolt shall not be fitted into a vertical slotted holes due to the risk of slipping (under the weight), the pins are not designed to hold any permanent loads (cf. specification sheet). The spider has to be positioned on a flat support. The slotted holes Ø 17x24 mm and free holes Ø 24 mm in the spider are not to be used to adjust the spider! They are needed to absorb the manufacturing tolerances and the thermal deformation of the glass and of the structure. The spiders are standardized for M14 fittings (FXR, FXV); other diameters are available on request.

SADEV recommends using thread locking compound, except in case of specific mounting constraints.