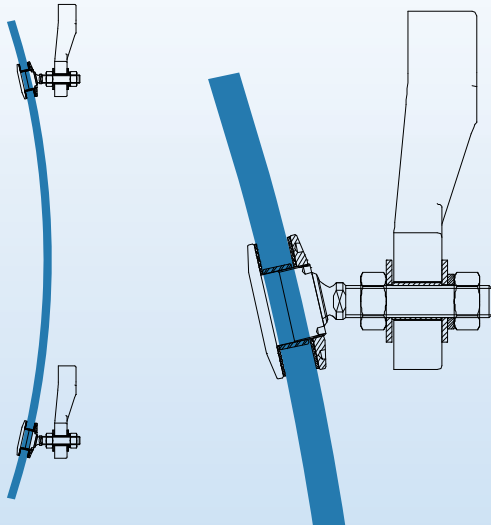


Technical page for swivel fittings

Fixing of the glasses:

The fixing piece plays a major role in the maintenance of the glasses.
SADEV suggests two solutions to find the most adapted piece for your project.

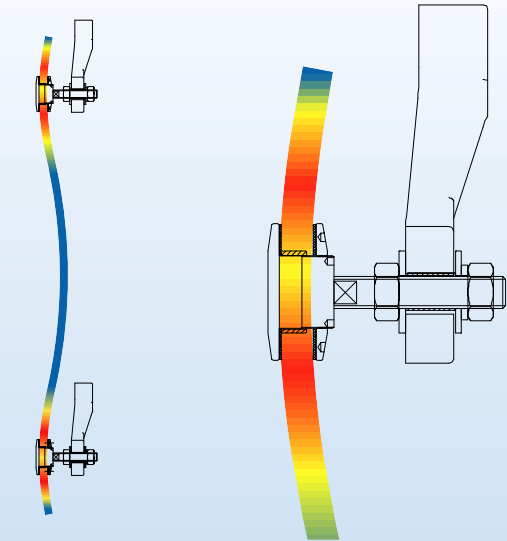
SWIVEL FITTING



Advantages:

- Recovers the loads and the deformations of the glass, therefore no stress in the glass.
- As the glass is not subjected to any stress, the glass thickness can be reduced.

FIXED BOLT



Advantages:

- Product suitable for interior use.

Disadvantages:

- Recovers the loads but not the deformations of the glass, therefore the stress in the glass increases with the applied loads.
- As the glass is under stress, the glass thickness has to be increased.

Standard dimensions:

To be able to answer quickly and at the best cost according to your demand, SADEV proposes fittings with standard dimensions available in stock.

The standard dimensions are M14, length 65 mm, diameter 60 mm. Other dimensions are possible by customized fabrication.

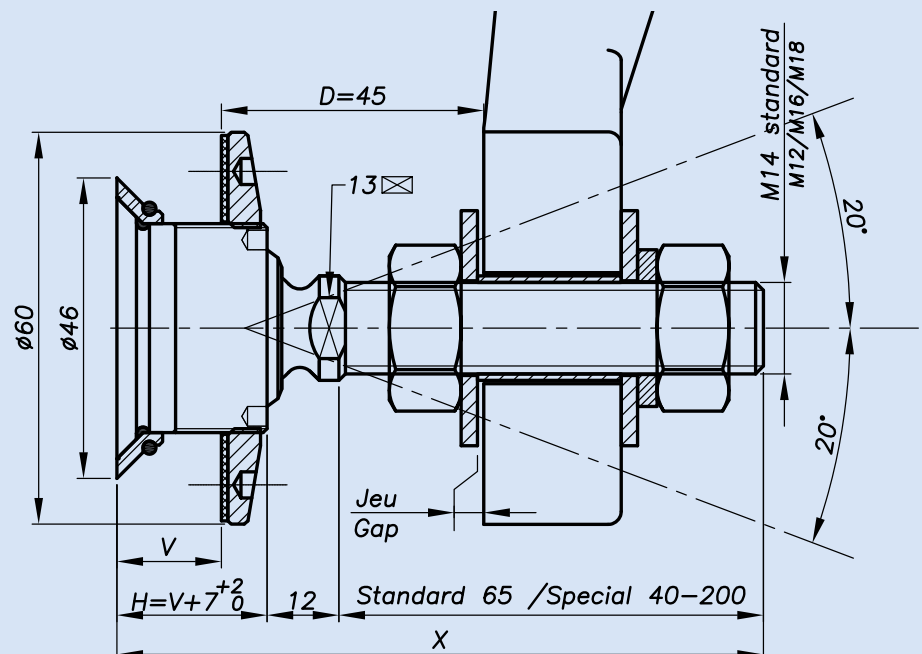
Mainly made out of stainless steel, the fittings are particularly resistant to corrosion and mechanical stress.

Because the security is a major part for this type of product, the most common fittings are subjected to a technical assessment delivered by the CSTB (French Research Institute for buildings).

To ensure maximum reliability for these products, several different tests have been executed: pull out, bending of the threaded axle, water sealing and testing under seismic conditions.

Sadev products need a followed up and regular maintenance device (cleaning once a year). At this occasion, a point shall be made on the aging of the products and all suspicious signs shall be reported to SADEV (abnormal oxidation, defective montage etc.)

Note: the height H and the length X are validated by SADEV at the order confirmation.

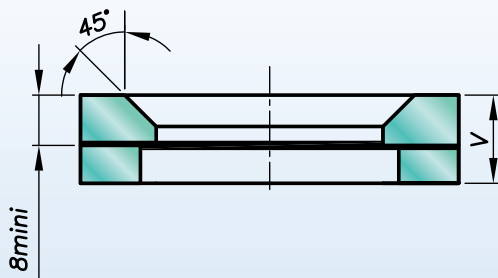


It is important to provide the following information with each request: the glass composition (ex.: 10 mm monolithic, 8.8.4 laminated, 8.8.2-12-10 insulating) / the length and diameter of the threaded axle if not standard dimensions (M14, 65 mm) / the reference of the spider to be used as support, or the thickness of an existing support for the delivery of the spacer.

Glass drilling:

There are two main types of drillings: countersunk and cylindrical. The drilling drawings are included on all technical pages.

COUNTERSUNK DRILLING



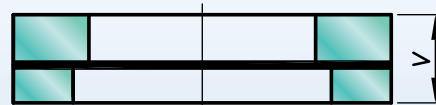
Advantages:

- Very esthetical as the head of the countersunk fitting is in the plane of the glass.
- Simplifies the cleaning of the glass.

Disadvantages:

- Highly unrecommended for glass roofs – verify the local regulatory.
- Make sure that your glass supplier is equipped for making countersunk holes in the glass.

CYLINDRICAL DRILLING



Advantages:

- No danger of mistaking the sense of the drilling.

Disadvantages:

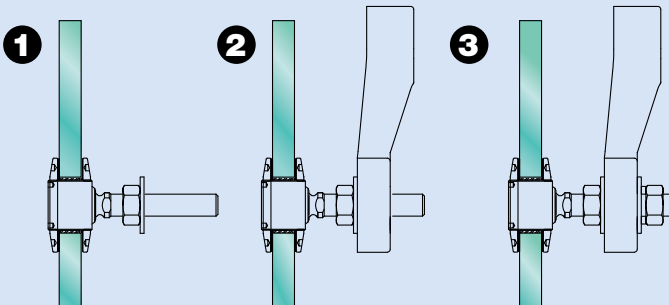
- The head of the fitting is not in the plane of the glass, resulting in a less harmonious render.

The silicone cover:



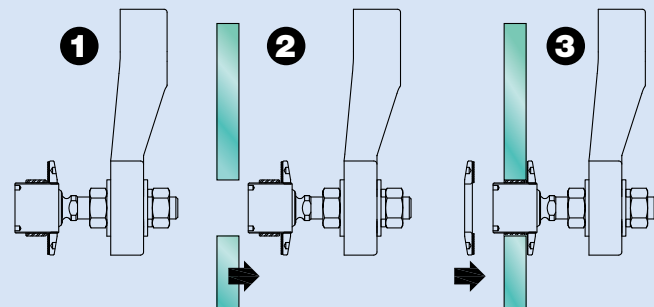
SADEV provides a protection from elements in the form of a silicone cover. Attention, this cover is not a simple option that you can add later. It is imperative to order a swivel fitting marked "SO" for this option since the swivel body is bigger and the glass nut is accordingly adapted.

Mounting type "blind access":



Classical mounting

In this case, the point fitting is inserted into the glass. The glass assembly is then mounted onto the spiders.



"Blind access" mounting

This solution is used when it is impossible to access one side of the glass. Therefore, the fitting is mounted directly on the spider and the glass is installed afterwards.